



Thermo Scientific Matrix[®] Microplate Data Sheet

Table of Contents

The Thermo Scientific Matrix line of microplates are manufactured from virgin, medical-grade resins and strictly adhere to standard industry specifications for dimensions.

Our quality control standards ensure all plates exhibit very tight dimensional tolerances and the sturdy wall design enables reliable sealing and automated handling.

Enhance your sample storage and assay performance today with Matrix Microplates.

96-Well Polystyrene Flat Bottom Microplates	2
96-Well Polystyrene U Bottom Microplates	3
96-Well Polystyrene V Bottom Microplates	4
96-Well Polystyrene Tissue Culture Treated Microplates	5
96-Well Polystyrene Glass Bottom Microplates	6
384-Well Polystyrene Flat Bottom Microplates	7
384-Well Polystyrene Tissue Culture Treated Microplates	8
384-Well Polystyrene Low-Volume Low-Profile Microplates	9
384-Well Polystyrene Low-Volume Microplates	10
96-Well Polypropylene U Bottom Microplates	11
96-Well Polypropylene V Bottom Microplates	12
96-Well Polypropylene 1 ml Microplates	13
96-Well Polypropylene 2 ml Microplates	14
384-Well Polypropylene Flat Bottom Microplates	15
384-Well Polypropylene U Bottom Microplates	16
384-Well Polypropylene V Bottom Microplates	17
384-Well Polypropylene Deep-Well Microplates	18
1536-Well Polystyrene Flat Bottom High-Gate Microplates	19

© 2008 Thermo Fisher Scientific Inc. All rights reserved. All trademarks are the property of Thermo Fisher Scientific Inc. and its subsidiaries.

North America: Tel: 800.345.0206 | email: matrix.info@thermofisher.com

Europe: Tel: +44 (0) 161 486 2110 | email: matrix.eu.info@thermofisher.com

Asia: email: matrix.ap.info@thermofisher.com

www.thermo.com/matrix

P-2007-0074



Thermo Scientific Matrix[®] Microplate Data Sheet

Thermo Scientific Matrix 96-Well Polystyrene Flat Bottom Microplates

Technical Specifications

Item no.	Sterile	Description	Surface Properties
4915		Clear	Medium binding
4916	●	Clear	Medium binding
4922		White	Medium binding
4923		White	High binding
4924		White/Clear bottom	Medium binding
4925	●	White/Clear bottom	Medium binding
4926		Black	Medium binding
4927		Black	High binding
4928		Black/Clear bottom	Medium binding
4929	●	Black/Clear bottom	Medium binding
4930		Clear	High binding

Plate Parameters

Composition:	Polystyrene
Well bottom:	Flat
Well shape:	Cylindrical

Dimensions (mm)

Bottom length:	127.76
Top length:	123.8
Corner well center from short sides:	11.24
Bottom width:	85.48
Corner well center from long sides:	14.38
Total height:	14.4
Distance between cell centers:	9.0
Internal well dimensions – top:	6.69
Internal well dimensions – bottom:	6.58
Well depth:	10.9
Maximum volume:	370 µl
Working volume:	50 µl-300 µl

Packaging

4 sleeves of 20 plates per case; Total of 80 plates

All dimensions are in millimeters.

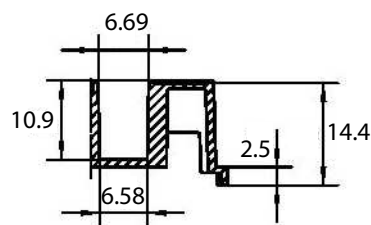
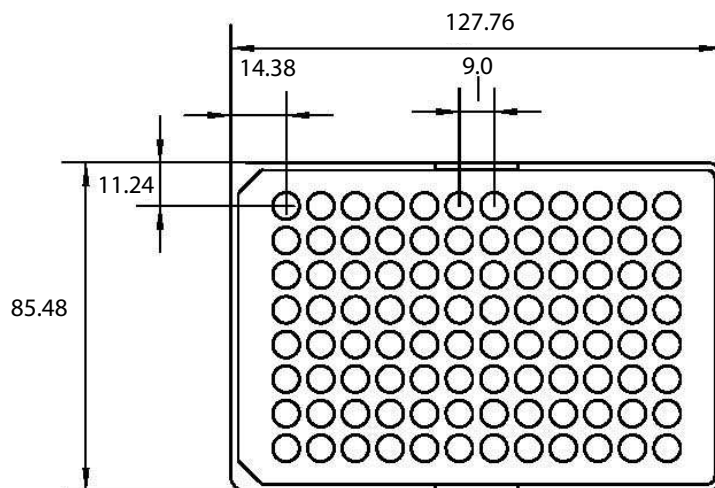
© 2008 Thermo Fisher Scientific Inc. All rights reserved. All trademarks are the property of Thermo Fisher Scientific Inc. and its subsidiaries.

North America: Tel: 800.345.0206 | email: matrix.info@thermofisher.com

Europe: Tel: +44 (0) 161 486 2110 | email: matrix.eu.info@thermofisher.com

Asia: email: matrix.ap.info@thermofisher.com

www.thermo.com/matrix





Thermo Scientific Matrix[®] Microplate Data Sheet

Thermo Scientific Matrix 96-Well Polystyrene U Bottom Microplates

Technical Specifications

Item no.	Sterile	Description	Surface Properties
4911		Clear	Medium binding
4912	●	Clear	Medium binding

Plate Parameters

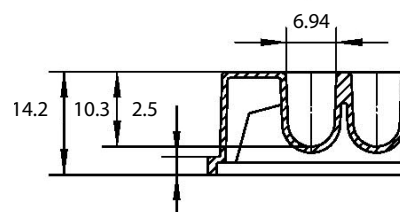
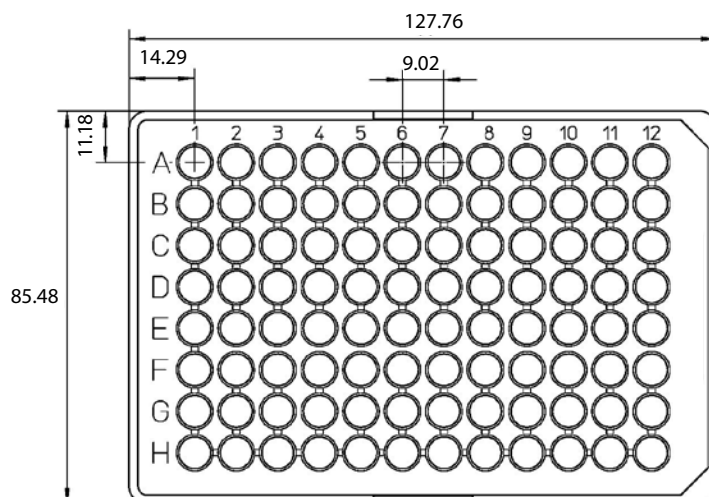
Composition:	Polystyrene
Well bottom:	U
Well shape:	Cylindrical

Dimensions (mm)

Bottom length:	127.76
Top length:	123.8
Corner well center from short sides:	11.18
Bottom width:	85.48
Corner well center from long sides:	14.29
Total height:	14.4
Distance between cell centers:	9.02
Internal well dimensions – top:	6.94
Well depth:	10.3
Maximum volume:	300 µl
Working volume:	50 µl-250 µl

Packaging

4 sleeves of 20 plates per case; Total of 80 plates



All dimensions are in millimeters.

© 2008 Thermo Fisher Scientific Inc. All rights reserved. All trademarks are the property of Thermo Fisher Scientific Inc. and its subsidiaries.

North America: Tel: 800.345.0206 | email: matrix.info@thermofisher.com

Europe: Tel: +44 (0) 161 486 2110 | email: matrix.eu.info@thermofisher.com

Asia: email: matrix.ap.info@thermofisher.com

www.thermo.com/matrix

P-2007-0074



Thermo Scientific Matrix® Microplate Data Sheet

Thermo Scientific Matrix 96-Well Polystyrene V Bottom Microplates

Technical Specifications

Item no.	Sterile	Description	Surface Properties
4913		Clear	Medium binding
4914	●	Clear	Medium binding

Plate Parameters

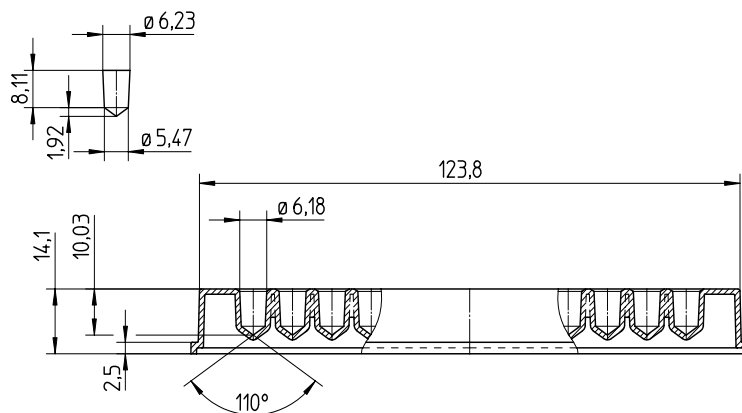
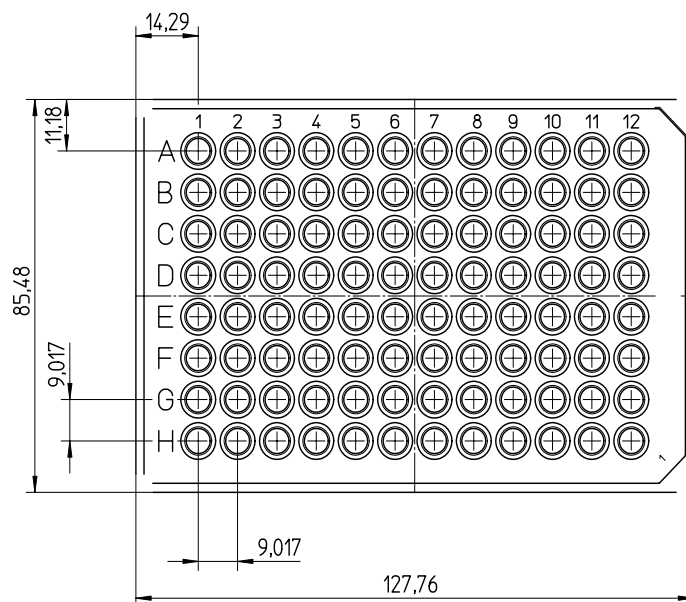
Composition:	Polystyrene
Well bottom:	V
Well shape:	Cylindrical

Dimensions (mm)

Bottom length:	127.76
Top length:	123.8
Corner well center from short sides:	11.18
Bottom width:	85.48
Corner well center from long sides:	14.29
Total height:	14.1
Distance between cell centers:	9.017
Internal well dimensions – top:	6.18
Internal well bottom angle:	110°
Well depth:	10.3
Maximum volume:	230 µl
Working volume:	30 µl-180 µl

Packaging

4 sleeves of 20 plates per case; Total of 80 plates



All dimensions are in millimeters.

© 2008 Thermo Fisher Scientific Inc. All rights reserved. All trademarks are the property of Thermo Fisher Scientific Inc. and its subsidiaries.

North America: Tel: 800.345.0206 | email: matrix.info@thermofisher.com

Europe: Tel: +44 (0) 161 486 2110 | email: matrix.eu.info@thermofisher.com

Asia: email: matrix.ap.info@thermofisher.com

www.thermo.com/matrix

P-2007-0074



Thermo Scientific Matrix[®] Microplate Data Sheet

Thermo Scientific Matrix 96-Well Polystyrene Tissue Culture Treated Microplates

Technical Specifications

Item no.	Sterile	Description	Surface Properties
4933	●	White	Tissue culture
4934	●	White with Lid	Tissue culture
4935	●	Black	Tissue culture
4936	●	Black with Lid	Tissue culture
4937	●	White/Clear bottom	Tissue culture
4938	●	White/Clear bottom with Lid	Tissue culture
4939	●	Black/Clear bottom	Tissue culture
4940	●	Black/Clear bottom with Lid	Tissue culture
4941	●	Clear	Tissue culture
4942	●	Clear with Lid	Tissue culture

Plate Parameters

Composition:	Polystyrene
Well bottom:	Flat
Well shape:	Cylindrical

Dimensions (mm)

Bottom length:	127.76
Top length:	123.8
Corner well center from short sides:	11.24
Bottom width:	85.48
Corner well center from long sides:	14.38
Total height:	14.4
Distance between cell centers:	9.0
Internal well dimensions – top:	6.69
Internal well dimensions – bottom:	6.58
Well depth:	10.9
Maximum volume:	370 µl
Working volume:	50 µl-300 µl

Packaging

8 sleeves of 10 plates per case; Total of 80 plates

All dimensions are in millimeters.

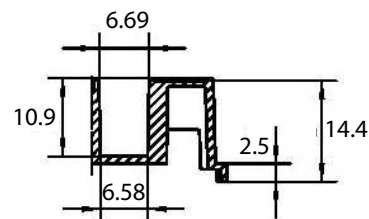
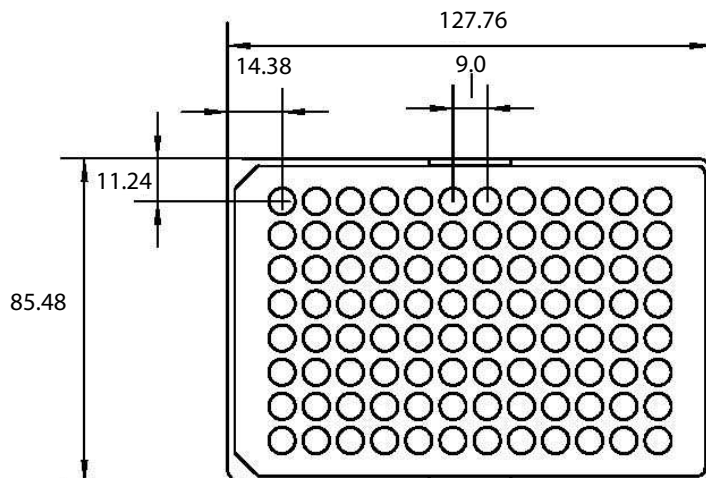
© 2008 Thermo Fisher Scientific Inc. All rights reserved. All trademarks are the property of Thermo Fisher Scientific Inc. and its subsidiaries.

North America: Tel: 800.345.0206 | email: matrix.info@thermofisher.com

Europe: Tel: +44 (0) 161 486 2110 | email: matrix.eu.info@thermofisher.com

Asia: email: matrix.ap.info@thermofisher.com

www.thermo.com/matrix





Thermo Scientific Matrix[®] Microplate Data Sheet

Thermo Scientific Matrix 96-Well Polystyrene Glass Bottom Microplates

Technical Specifications

Item no.	Sterile	Description	Surface Properties
4951		Black with Lid	Medium binding
4953	●	Black with Lid	Medium binding

Plate Parameters

Composition:	Polystyrene
Well bottom:	Flat
Well shape:	Cylindrical

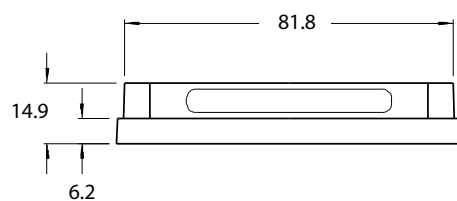
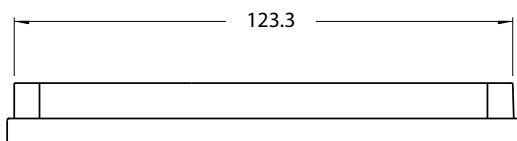
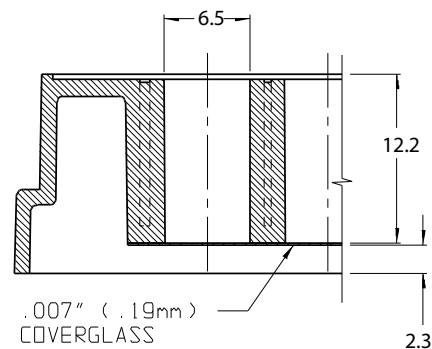
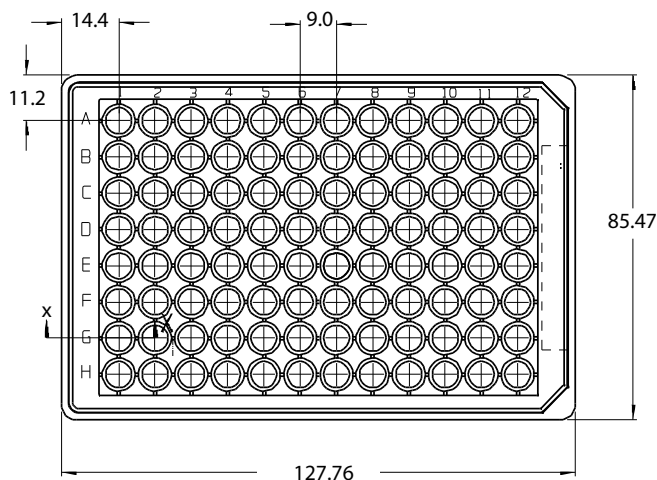
Dimensions (mm)

Bottom length:	127.76
Top length:	123.3
Corner well center from short sides:	11.2
Bottom width:	85.47
Corner well center from long sides:	14.4
Total height:	14.9
Distance between cell centers:	9.0
Internal well dimensions – top:	6.5
Well depth:	12.2
Maximum volume:	400 µl
Working volume:	50 µl-200 µl

Packaging:

Item no.: 4951
4 sleeves of 5 plates per case; Total of 20 plates

Item no.: 4953
2 sleeves of 5 plates per case; Total of 10 plates



All dimensions are in millimeters.

© 2008 Thermo Fisher Scientific Inc. All rights reserved. All trademarks are the property of Thermo Fisher Scientific Inc. and its subsidiaries.

North America: Tel: 800.345.0206 | email: matrix.info@thermofisher.com

Europe: Tel: +44 (0) 161 486 2110 | email: matrix.eu.info@thermofisher.com

Asia: email: matrix.ap.info@thermofisher.com

www.thermo.com/matrix

P-2007-0074



Thermo Scientific Matrix[®] Microplate Data Sheet

Thermo Scientific Matrix 384-Well Polystyrene Flat Bottom Microplates

Technical Specifications

Item no.	Sterile	Description	Surface Properties
4310		Clear	Medium binding
4311	●	Clear	Medium binding
4316		White	Medium binding
4317		White	High binding
4318		Black	Medium binding
4319		Black	High binding
4321		White/Clear bottom	Medium binding
4322	●	White/Clear bottom	Medium binding
4323		Black/Clear bottom	Medium binding
4324	●	Black/Clear bottom	Medium binding

Plate Parameters

Composition:	Polystyrene
Well bottom:	Flat
Well shape:	Square-round

Dimensions (mm)

Bottom length:	127.76
Top length:	123.8
Corner well center from short sides:	8.99
Bottom width:	85.48
Corner well center from long sides:	12.13
Total height:	14.4
Distance between cell centers:	4.5
Internal well dimensions – top:	3.7
Internal well dimensions – bottom:	3.3
Well depth:	11.5
Maximum volume:	120 µl
Working volume:	25 µl-90 µl

Packaging

8 sleeves of 10 plates per case; Total of 80 plates

All dimensions are in millimeters.

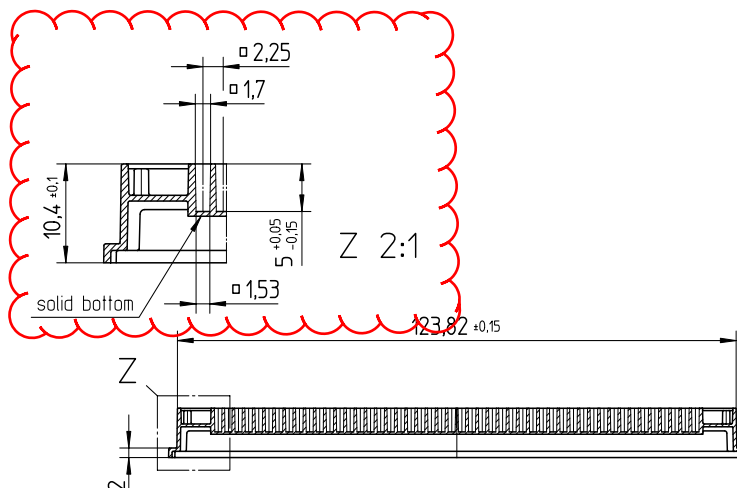
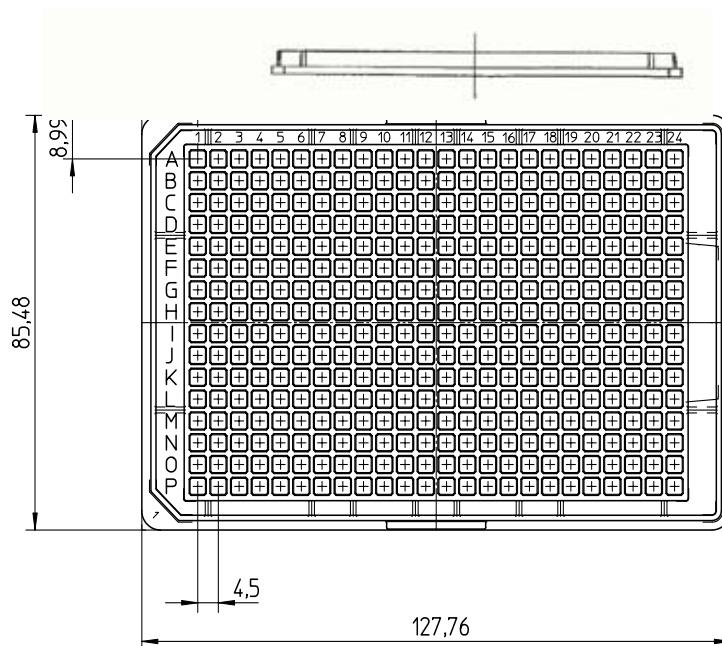
© 2008 Thermo Fisher Scientific Inc. All rights reserved. All trademarks are the property of Thermo Fisher Scientific Inc. and its subsidiaries.

North America: Tel: 800.345.0206 | email: matrix.info@thermofisher.com

Europe: Tel: +44 (0) 161 486 2110 | email: matrix.eu.info@thermofisher.com

Asia: email: matrix.ap.info@thermofisher.com

www.thermo.com/matrix





Thermo Scientific Matrix® Microplate Data Sheet

Thermo Scientific Matrix 384-Well Polystyrene Tissue Culture Treated Microplates

Technical Specifications

Item no.	Sterile	Description	Surface Properties
4313	●	Clear	Tissue culture
4327	●	Black	Tissue culture
4328	●	Black with Lid	Tissue culture
4329	●	White/Clear bottom	Tissue culture
4330	●	White/Clear bottom with Lid	Tissue culture
4331	●	Black/Clear bottom	Tissue culture
4332	●	Black/Clear bottom with Lid	Tissue culture
4333	●	White	Tissue culture
4334	●	White with Lid	Tissue culture
4336	●	Clear with Lid	Tissue culture

Plate Parameters

Composition:	Polystyrene
Well bottom:	Flat
Well shape:	Square-round

Dimensions (mm)

Bottom length:	127.76
Top length:	123.8
Corner well center from short sides:	8.99
Bottom width:	85.48
Corner well center from long sides:	12.13
Total height:	14.4
Distance between cell centers:	4.5
Internal well dimensions – top:	3.7
Internal well dimensions – bottom:	3.3
Well depth:	11.5
Maximum volume:	120 µl
Working volume:	25 µl-90 µl

Packaging

8 sleeves of 10 plates per case; Total of 80 plates

All dimensions are in millimeters.

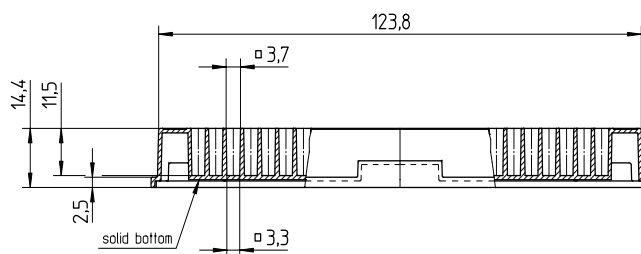
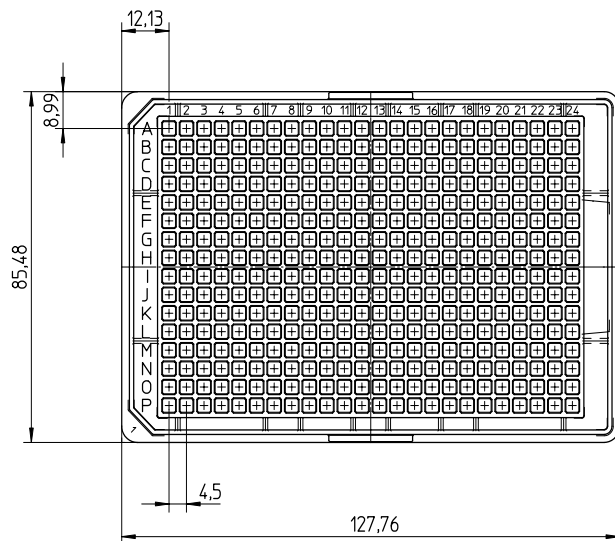
© 2008 Thermo Fisher Scientific Inc. All rights reserved. All trademarks are the property of Thermo Fisher Scientific Inc. and its subsidiaries.

North America: Tel: 800.345.0206 | email: matrix.info@thermofisher.com

Europe: Tel: +44 (0) 161 486 2110 | email: matrix.eu.info@thermofisher.com

Asia: email: matrix.ap.info@thermofisher.com

www.thermo.com/matrix





Thermo Scientific Matrix® Microplate Data Sheet

Thermo Scientific Matrix 384-Well Polystyrene Low-Volume Low-Profile Microplates

Technical Specifications

Item no.	Sterile	Description	Surface Properties
4351		Clear	Medium binding
4352	●	Clear	Medium binding
4356		Black	Medium binding
4357	●	Black	Medium binding

Plate Parameters

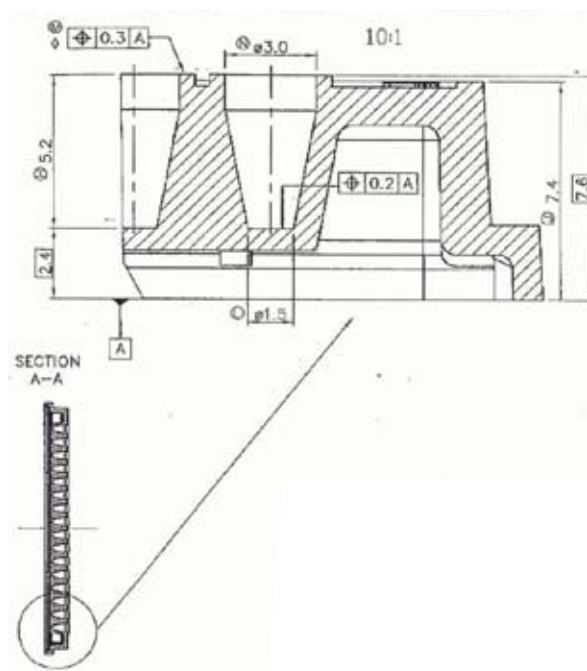
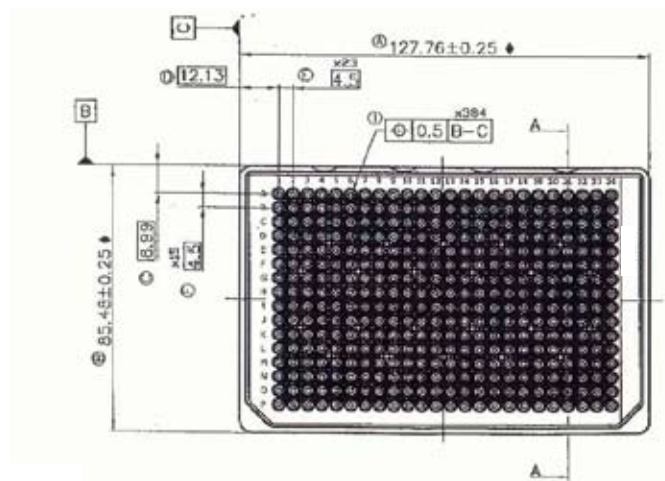
Composition:	Polystyrene
Well bottom:	Flat
Well shape:	Conical-cylindrical

Dimensions (mm)

Bottom length:	127.76
Top length:	123.8
Corner well center from short sides:	8.99
Bottom width:	85.48
Corner well center from long sides:	12.13
Total height:	7.6
Distance between cell centers:	4.5
Internal well dimensions – top:	3.0
Internal well dimensions – bottom:	1.5
Well depth:	5.2
Maximum volume:	25 µl
Working volume:	2 µl-20 µl

Packaging

8 sleeves of 10 plates per case; Total of 80 plates



All dimensions are in millimeters.

© 2008 Thermo Fisher Scientific Inc. All rights reserved. All trademarks are the property of Thermo Fisher Scientific Inc. and its subsidiaries.

North America: Tel: 800.345.0206 | email: matrix.info@thermofisher.com

Europe: Tel: +44 (0) 161 486 2110 | email: matrix.eu.info@thermofisher.com

Asia: email: matrix.ap.info@thermofisher.com

www.thermo.com/matrix

P-2007-0074



Thermo Scientific Matrix® Microplate Data Sheet

Thermo Scientific Matrix 384-Well Polystyrene Low-Volume Microplates

Technical Specifications

Item no.	Sterile	Description	Surface Properties
4361		Clear	Medium binding
4362	●	Clear	Medium binding
4363		Black	Medium binding
4364	●	Black	Medium binding
4365		White	Medium binding
4366	●	White	Medium binding

Plate Parameters

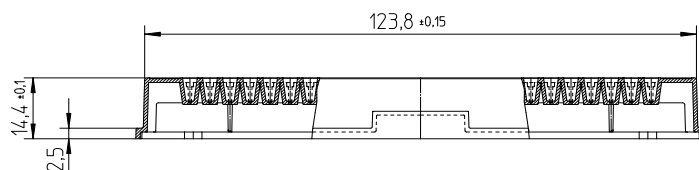
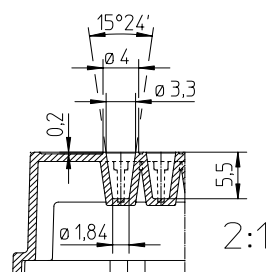
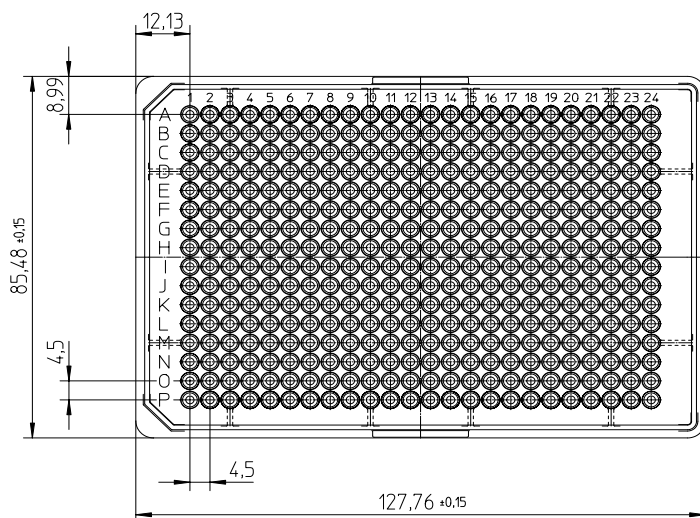
Composition:	Polystyrene
Well bottom:	Flat
Well shape:	Conical-cylindrical

Dimensions (mm)

Bottom length:	127.76
Top length:	123.8
Corner well center from short sides:	8.99
Bottom width:	85.48
Corner well center from long sides:	12.13
Total height:	14.4
Distance between cell centers:	4.5
Internal well dimensions – top:	3.3
Internal well dimensions – bottom:	1.84
Well depth:	5.5
Maximum volume:	25 µl
Working volume:	2 µl-20 µl

Packaging

8 sleeves of 10 plates per case; Total of 80 plates



All dimensions are in millimeters.

© 2008 Thermo Fisher Scientific Inc. All rights reserved. All trademarks are the property of Thermo Fisher Scientific Inc. and its subsidiaries.

North America: Tel: 800.345.0206 | email: matrix.info@thermofisher.com

Europe: Tel: +44 (0) 161 486 2110 | email: matrix.eu.info@thermofisher.com

Asia: email: matrix.ap.info@thermofisher.com

www.thermo.com/matrix

P-2007-0074



Thermo Scientific Matrix[®] Microplate Data Sheet

Thermo Scientific Matrix 96-Well Polypropylene U Bottom Microplates

Technical Specifications

Item no.	Sterile	Description	Surface Properties
4917		Clear	Low binding
4918	●	Clear	Low binding

Plate Parameters

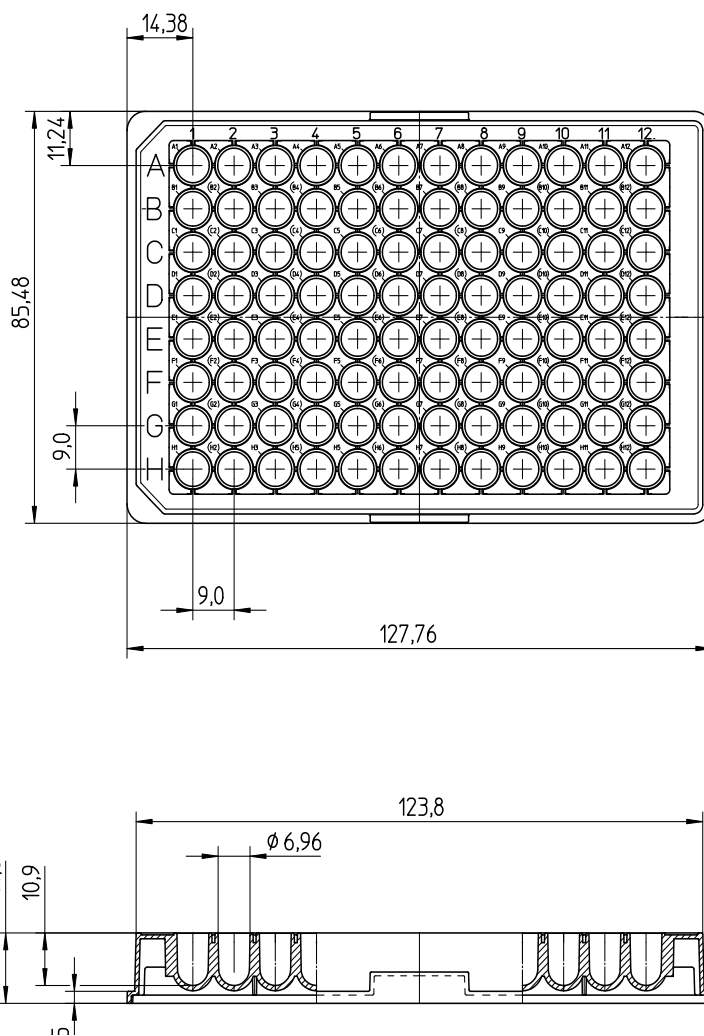
Composition:	Polypropylene
Well bottom:	U
Well shape:	Cylindrical

Dimensions (mm)

Bottom length:	127.76
Top length:	123.8
Corner well center from short sides:	11.24
Bottom width:	85.48
Corner well center from long sides:	14.38
Total height:	14.6
Distance between cell centers:	9.0
Internal well dimensions – top:	6.96
Well depth:	10.9
Maximum volume:	355 µl
Working volume:	50 µl-300 µl

Packaging

4 sleeves of 20 plates per case; Total of 80 plates



All dimensions are in millimeters.

© 2008 Thermo Fisher Scientific Inc. All rights reserved. All trademarks are the property of Thermo Fisher Scientific Inc. and its subsidiaries.

North America: Tel: 800.345.0206 | email: matrix.info@thermofisher.com

Europe: Tel: +44 (0) 161 486 2110 | email: matrix.eu.info@thermofisher.com

Asia: email: matrix.ap.info@thermofisher.com

www.thermo.com/matrix

P-2007-0074



Thermo Scientific Matrix[®] Microplate Data Sheet

Thermo Scientific Matrix 96-Well Polypropylene V Bottom Microplates

Technical Specifications

Item no.	Sterile	Description	Surface Properties
4919		Clear	Low binding
4920	●	Clear	Low binding

Plate Parameters

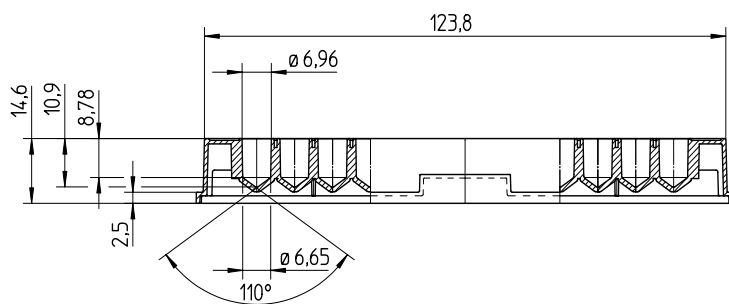
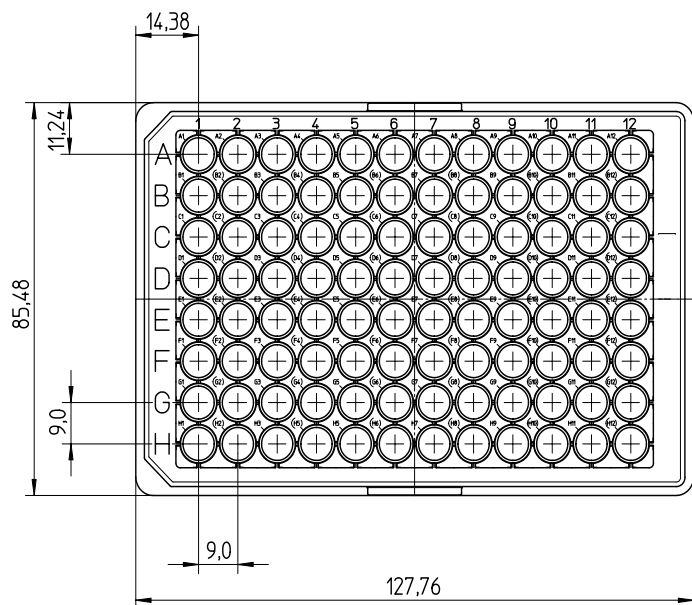
Composition:	Polypropylene
Well bottom:	V
Well shape:	Cylindrical

Dimensions (mm)

Bottom length:	127.76
Top length:	123.8
Corner well center from short sides:	11.24
Bottom width:	85.48
Corner well center from long sides:	14.38
Total height:	14.6
Distance between cell centers:	9.0
Internal well dimensions – top:	6.96
Internal well bottom angle:	110°
Well depth:	10.9
Maximum volume:	340 µl
Working volume:	50 µl-300 µl

Packaging

4 sleeves of 20 plates per case; Total of 80 plates



All dimensions are in millimeters.

© 2008 Thermo Fisher Scientific Inc. All rights reserved. All trademarks are the property of Thermo Fisher Scientific Inc. and its subsidiaries.

North America: Tel: 800.345.0206 | email: matrix.info@thermofisher.com

Europe: Tel: +44 (0) 161 486 2110 | email: matrix.eu.info@thermofisher.com

Asia: email: matrix.ap.info@thermofisher.com

www.thermo.com/matrix

P-2007-0074



Thermo Scientific Matrix[®] Microplate Data Sheet

Thermo Scientific Matrix 96-Well Polypropylene 1 ml Microplates

Technical Specifications

Item no.	Sterile	Description	Surface Properties
4211		Clear	Low binding
4212	●	Clear	Low binding

Plate Parameters

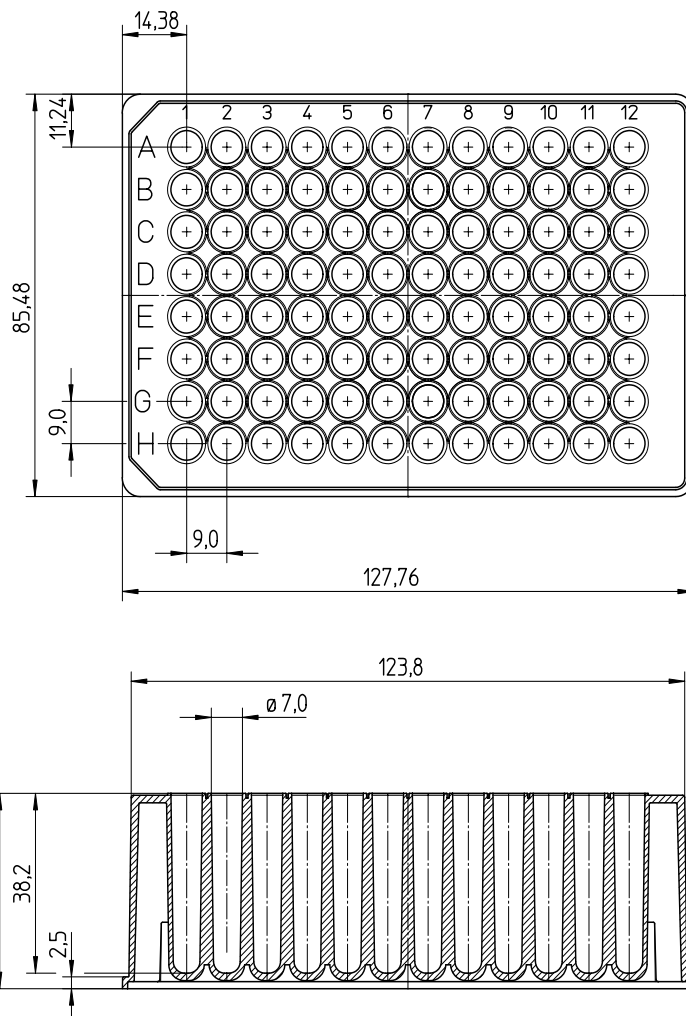
Composition:	Polypropylene
Well bottom:	U
Well shape:	Cylindrical

Dimensions (mm)

Bottom length:	127.76
Top length:	123.8
Corner well center from short sides:	11.24
Bottom width:	85.48
Corner well center from long sides:	14.38
Total height:	41.5
Distance between cell centers:	9.0
Internal well dimensions – top:	7.0
Well depth:	38.2
Maximum volume:	1000 µl
Working volume:	50 µl-1000 µl

Packaging

40 plates per case



All dimensions are in millimeters.

© 2008 Thermo Fisher Scientific Inc. All rights reserved. All trademarks are the property of Thermo Fisher Scientific Inc. and its subsidiaries.

North America: Tel: 800.345.0206 | email: matrix.info@thermofisher.com

Europe: Tel: +44 (0) 161 486 2110 | email: matrix.eu.info@thermofisher.com

Asia: email: matrix.ap.info@thermofisher.com

www.thermo.com/matrix

P-2007-0074



Thermo Scientific Matrix[®] Microplate Data Sheet

Thermo Scientific Matrix 96-Well Polypropylene 2 ml Microplates

Technical Specifications

Item no.	Sterile	Description	Surface Properties
4221		Clear	Low binding
4222	●	Clear	Low binding

Plate Parameters

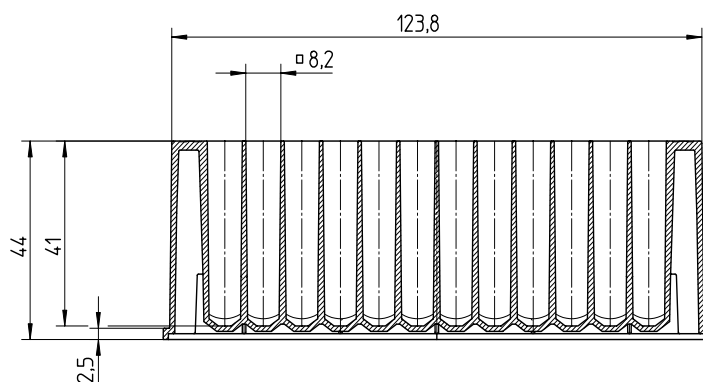
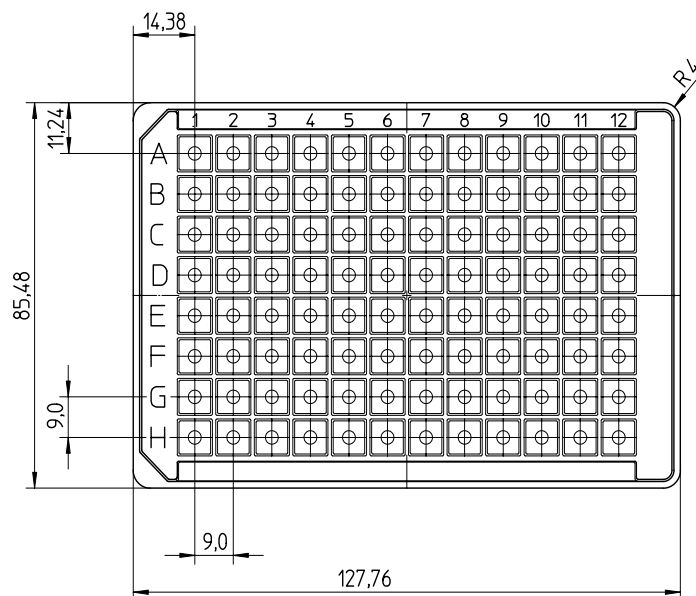
Composition:	Polypropylene
Well bottom:	U
Well shape:	Square

Dimensions (mm)

Bottom length:	127.76
Top length:	123.8
Corner well center from short sides:	11.24
Bottom width:	85.48
Corner well center from long sides:	14.38
Total height:	44.0
Distance between cell centers:	9.0
Internal well dimensions – top:	8.2
Well depth:	41.0
Maximum volume:	2000 µl
Working volume:	50 µl-2000 µl

Packaging

40 plates per case



All dimensions are in millimeters.

© 2008 Thermo Fisher Scientific Inc. All rights reserved. All trademarks are the property of Thermo Fisher Scientific Inc. and its subsidiaries.

North America: Tel: 800.345.0206 | email: matrix.info@thermofisher.com

Europe: Tel: +44 (0) 161 486 2110 | email: matrix.eu.info@thermofisher.com

Asia: email: matrix.ap.info@thermofisher.com

www.thermo.com/matrix

P-2007-0074



Thermo Scientific Matrix[®] Microplate Data Sheet

Thermo Scientific Matrix 384-Well Polypropylene Flat Bottom Microplates

Technical Specifications

Item no.	Sterile	Description	Surface Properties
4314		Clear	Low binding
4315	●	Clear	Low binding

Plate Parameters

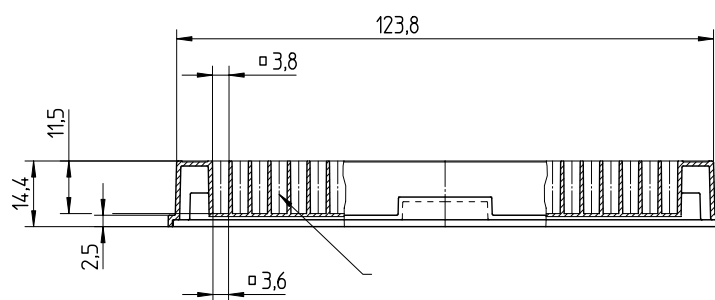
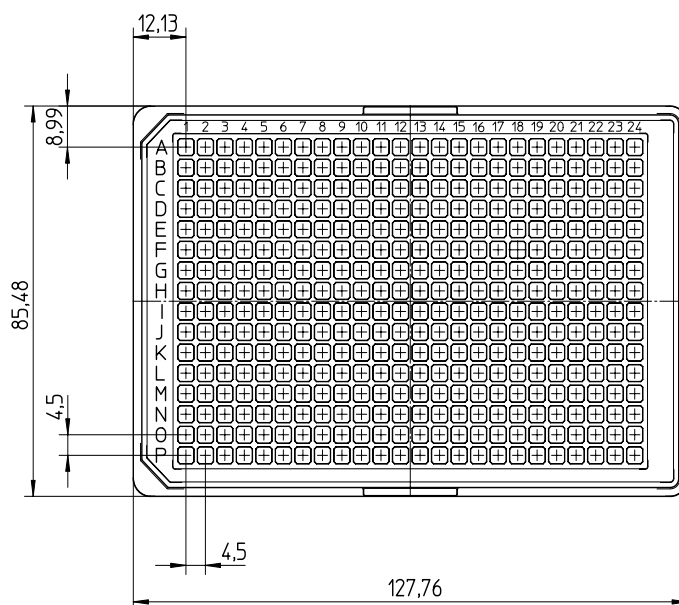
Composition:	Polypropylene
Well bottom:	Flat
Well shape:	Square

Dimensions (mm)

Bottom length:	127.76
Top length:	123.8
Corner well center from short sides:	8.99
Bottom width:	85.48
Corner well center from long sides:	12.13
Total height:	14.4
Distance between cell centers:	4.5
Internal well dimensions – top:	3.8
Internal well dimensions – bottom:	3.6
Well depth:	11.5
Maximum volume:	150 µl
Working volume:	15 µl-130 µl

Packaging

8 sleeves of 10 plates per case; Total of 80 plates



All dimensions are in millimeters.

© 2008 Thermo Fisher Scientific Inc. All rights reserved. All trademarks are the property of Thermo Fisher Scientific Inc. and its subsidiaries.

North America: Tel: 800.345.0206 | email: matrix.info@thermofisher.com

Europe: Tel: +44 (0) 161 486 2110 | email: matrix.eu.info@thermofisher.com

Asia: email: matrix.ap.info@thermofisher.com

www.thermo.com/matrix

P-2007-0074



Thermo Scientific Matrix[®] Microplate Data Sheet

Thermo Scientific Matrix 384-Well Polypropylene U Bottom Microplates

Technical Specifications

Item no.	Sterile	Description	Surface Properties
4340		Clear	Low binding
4341	●	Clear	Low binding
4342		White	Low binding
4344		Black	Low binding

Plate Parameters

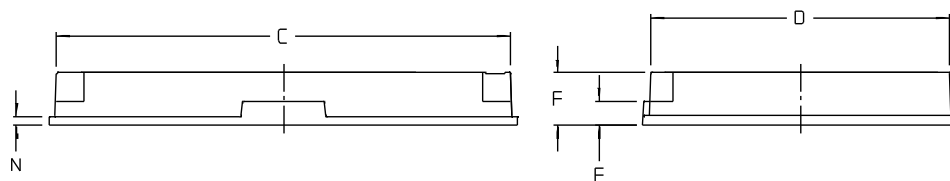
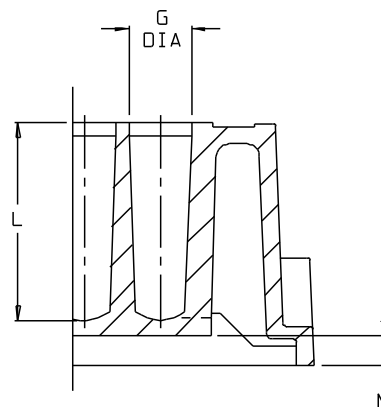
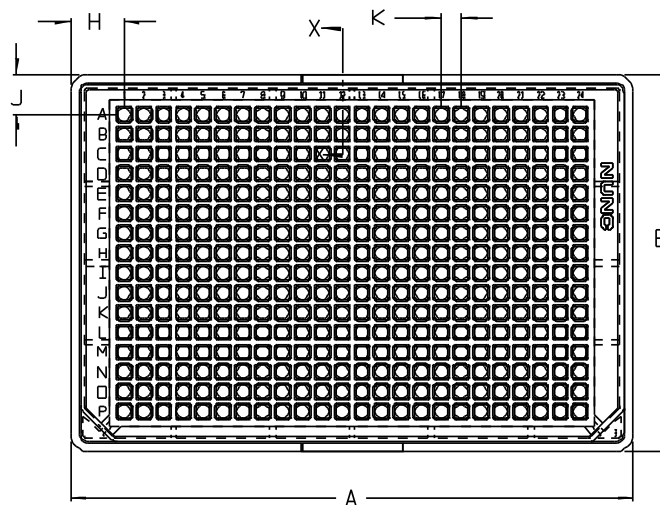
Composition:	Polypropylene
Well bottom:	U
Well shape:	Square-round

Dimensions (mm)

Bottom length:	127.8
Top length:	123.7
Corner well center from short sides:	8.9
Bottom width:	85.5
Corner well center from long sides:	12.2
Total height:	14.4
Distance between cell centers:	4.5
Internal well dimensions – top:	3.7
Internal well dimensions – bottom:	1.8
Well depth:	11.7
Maximum volume:	120 µl
Working volume:	4 µl-100 µl

Packaging

8 sleeves of 10 plates per case; Total of 80 plates



All dimensions are in millimeters.

© 2008 Thermo Fisher Scientific Inc. All rights reserved. All trademarks are the property of Thermo Fisher Scientific Inc. and its subsidiaries.

North America: Tel: 800.345.0206 | email: matrix.info@thermofisher.com

Europe: Tel: +44 (0) 161 486 2110 | email: matrix.eu.info@thermofisher.com

Asia: email: matrix.ap.info@thermofisher.com

www.thermo.com/matrix

P-2007-0074



Thermo Scientific Matrix® Microplate Data Sheet

Thermo Scientific Matrix 384-Well Polypropylene V Bottom Microplates

Technical Specifications

Item no.	Sterile	Description	Surface Properties
4305	●	White	Low binding
4306	●	Black	Low binding
4307		White	Low binding
4308		Black	Low binding
4309	●	Clear	Low binding
4312		Clear	Low binding

Plate Parameters

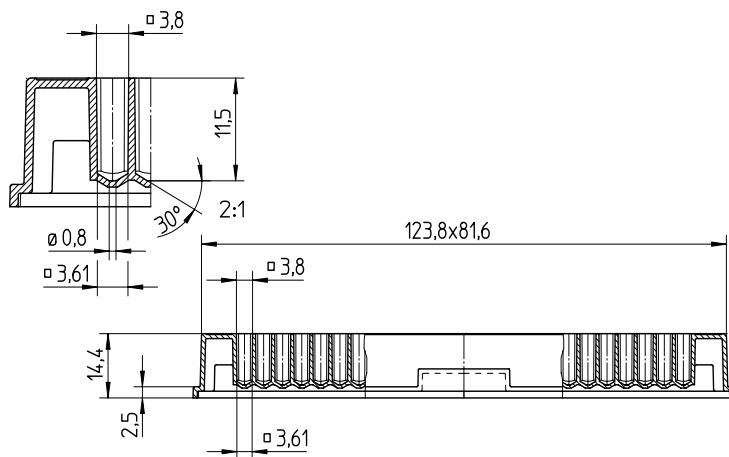
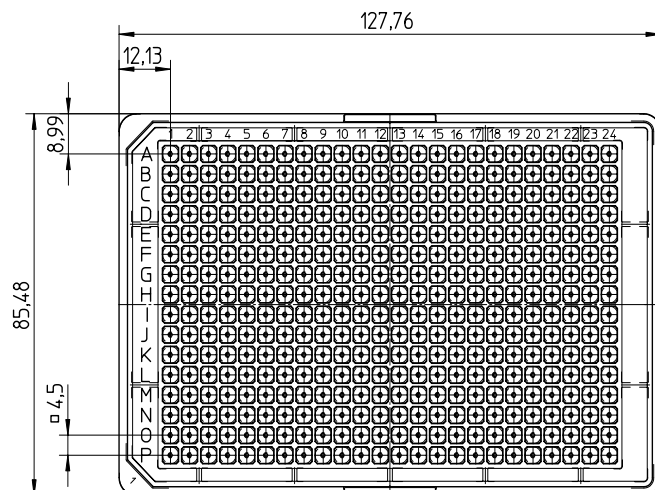
Composition:	Polypropylene
Well bottom:	V
Well shape:	Square-round

Dimensions (mm)

Bottom length:	127.76
Top length:	123.3
Corner well center from short sides:	8.99
Bottom width:	85.48
Corner well center from long sides:	12.13
Total height:	14.4
Distance between cell centers:	4.5
Internal well dimensions – top:	3.8
Internal well dimensions – bottom:	3.61
Well depth:	11.75
Maximum volume:	145 µl
Working volume:	4 µl-120 µl

Packaging

8 sleeves of 10 plates per case; Total of 80 plates



All dimensions are in millimeters.

© 2008 Thermo Fisher Scientific Inc. All rights reserved. All trademarks are the property of Thermo Fisher Scientific Inc. and its subsidiaries.

North America: Tel: 800.345.0206 | email: matrix.info@thermofisher.com

Europe: Tel: +44 (0) 161 486 2110 | email: matrix.eu.info@thermofisher.com

Asia: email: matrix.ap.info@thermofisher.com

www.thermo.com/matrix

P-2007-0074



Thermo Scientific Matrix[®] Microplate Data Sheet

Thermo Scientific Matrix 384-Well Polypropylene Deep-Well Microplates

Technical Specifications

Item no.	Sterile	Description	Surface Properties
4325		Clear	Low binding
4326	●	Clear	Low binding

Plate Parameters

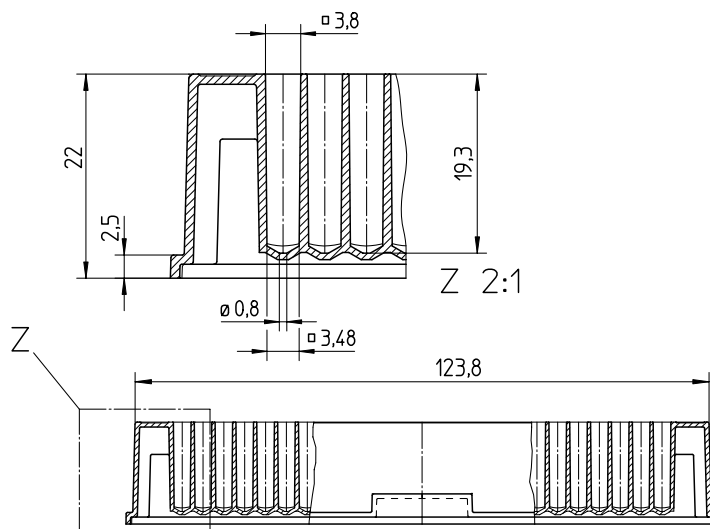
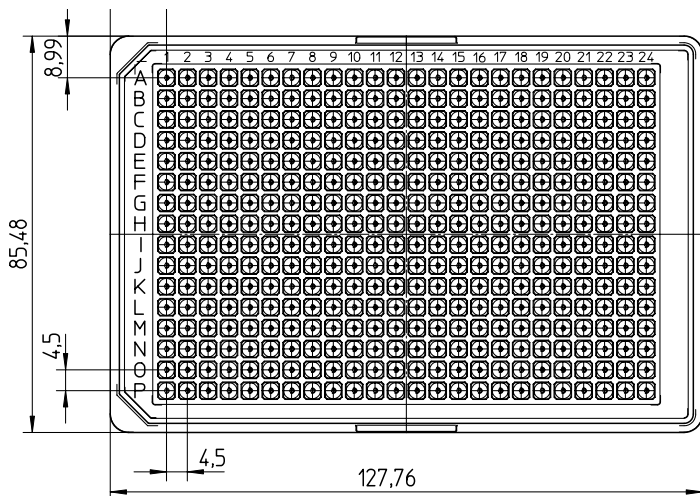
Composition:	Polypropylene
Well bottom:	V
Well shape:	Square-round

Dimensions (mm)

Bottom length:	127.76
Top length:	123.3
Corner well center from short sides:	8.99
Bottom width:	85.48
Corner well center from long sides:	12.13
Total height:	22.0
Distance between cell centers:	4.5
Internal well dimensions – top:	3.8
Internal well dimensions – bottom:	3.48
Well depth:	19.3
Maximum volume:	240 µl
Working volume:	2 µl-200 µl

Packaging

80 plates per case



All dimensions are in millimeters.

© 2008 Thermo Fisher Scientific Inc. All rights reserved. All trademarks are the property of Thermo Fisher Scientific Inc. and its subsidiaries.

North America: Tel: 800.345.0206 | email: matrix.info@thermofisher.com

Europe: Tel: +44 (0) 161 486 2110 | email: matrix.eu.info@thermofisher.com

Asia: email: matrix.ap.info@thermofisher.com

www.thermo.com/matrix

P-2007-0074



Thermo Scientific Matrix® Microplate Data Sheet

Thermo Scientific Matrix 1536-Well Polystyrene Flat Bottom High-Gate Microplates

Technical Specifications

Item no.	Sterile	Description	Surface Properties
4511B		Clear	Medium binding
4512B		White	Medium binding
4515B		Black	Medium binding
4514B		White/Clear bottom	Medium binding
4517B		Black/Clear bottom	Medium binding

Plate Parameters

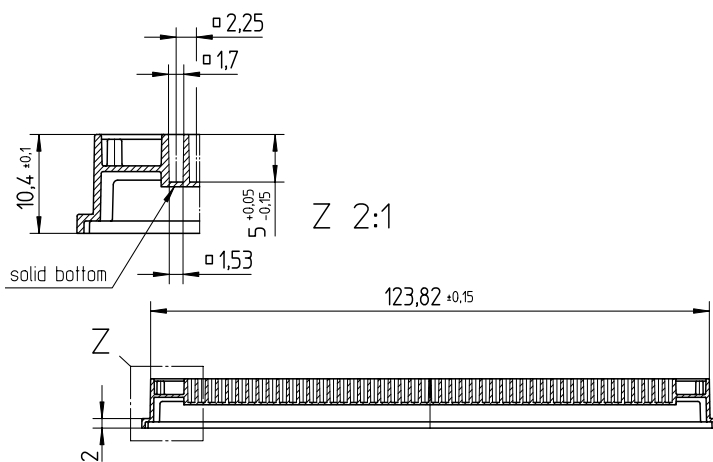
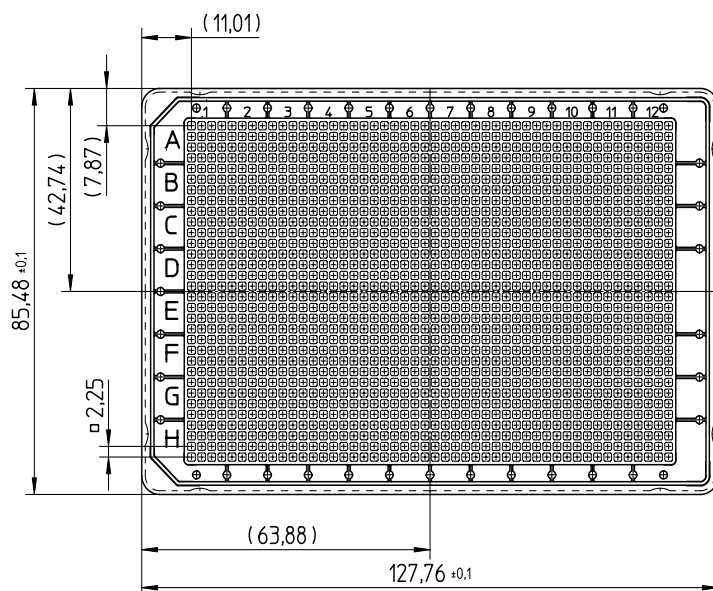
Composition:	Polystyrene
Well bottom:	Flat
Well shape:	Square-round

Dimensions (mm)

Bottom length:	127.76
Top length:	123.82
Corner well center from short sides:	7.87
Bottom width:	85.48
Corner well center from long sides:	11.01
Total height:	10.4
Distance between cell centers:	2.25
Internal well dimensions – top:	1.7
Internal well dimensions – bottom:	1.53
Well depth:	5.0
Maximum volume:	12 µl
Working volume:	1 µl-10 µl

Packaging

15 plates per case



All dimensions are in millimeters.

© 2008 Thermo Fisher Scientific Inc. All rights reserved. All trademarks are the property of Thermo Fisher Scientific Inc. and its subsidiaries.

North America: Tel: 800.345.0206 | email: matrix.info@thermofisher.com

Europe: Tel: +44 (0) 161 486 2110 | email: matrix.eu.info@thermofisher.com

Asia: email: matrix.ap.info@thermofisher.com

www.thermo.com/matrix

P-2007-0074

Thermo
SCIENTIFIC